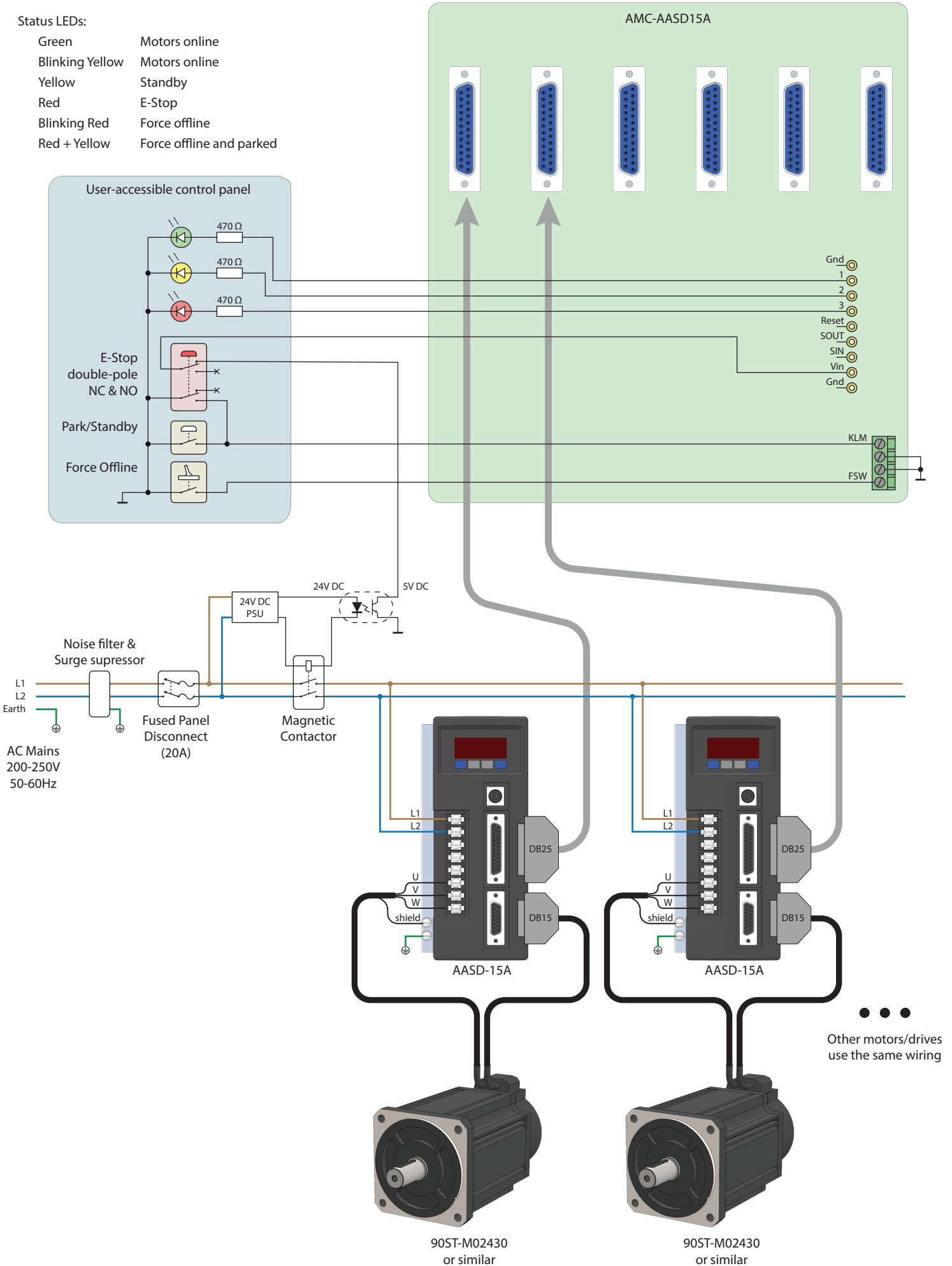


Status LEDs:

- Green Motors online
- Blinking Yellow Motors online
- Yellow Standby
- Red E-Stop
- Blinking Red Force offline
- Red + Yellow Force offline and parked



Other motors/drives use the same wiring

90ST-M02430 or similar

90ST-M02430 or similar